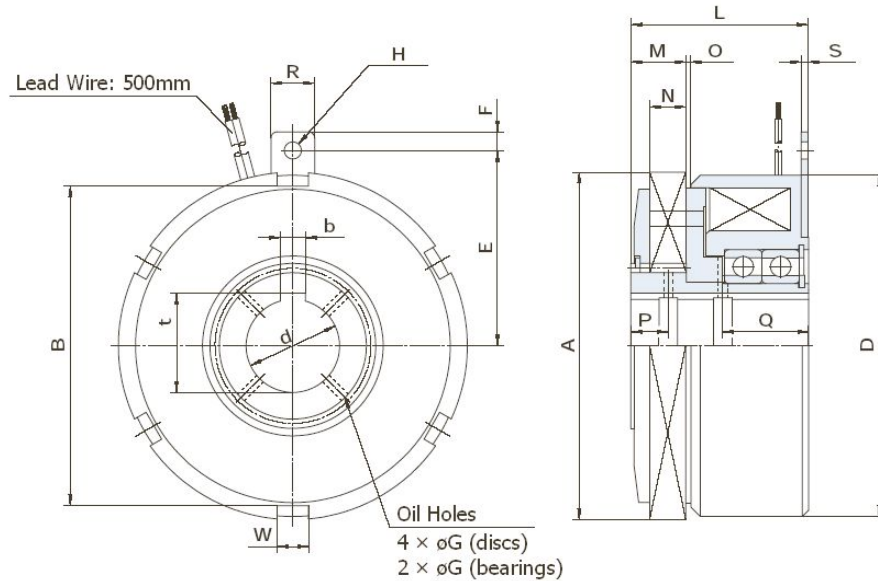


MWC

Wet-Type Multiple-Disk EM Clutch

Types: 1.2, 2.5, 5, 10, 20

[EM: Electromagnet]



[Special Order]

MWC		1.2	2.5	5	10	20
Dynamic Torque [ft-lbs / N-m]		8.9 / 12	18 / 25	37 / 50	74 / 100	148 / 200
Static Torque [ft-lbs / N-m]		18 / 25	37 / 50	74 / 100	148 / 200	295 / 400
Coil (20°C)	Voltage [DC-V]	24				
	Current [A]	0.48	0.71	0.91	1.5	1.9
	Resistance [Ω]	49.5	34	26.4	16	12.8
	Wattage [W]	12	17	22	36	45
Armature Pull-In Time [ms]		50	60	70	80	100
Torque Build-Up Time [ms]		120	150	170	180	200
Torque Decay Time [ms]		40	50	60	70	100
Max Allowable Speed [rpm]		4000	3600	3200	3000	2800
Moment of Inertia (J) [kg-cm ²]	Hub	2.8	5.5	13.3	32	57
	Outer Disc	0.5	1.3	2.8	8.3	16.3
Bore [mm]	dH7	20	25	30	40	50
Key Way [mm]	bE9	6	8	8	12	14
	t+0.2/-0	21.7	26.7	32	42.5	52.5
Dimensions [mm]	A	80	95	112	132	157
	B	73	87.5	103	122	145
	D	78	93	110	130	155
	E	47	57	63	80	91
	F	6	6	6	8	8
	G	2	3	3	3	3
	H	5.5	5.5	5.5	6.5	6.5
	L	45	49	57	63	73
	M	13.5	14.8	17.7	22	24.5
	N	8.5	9.3	11.7	14	14
	O	2	2	1.5	2	2
	P	10	11	12	16	18
	Q	21.5	23.5	27.5	25	28.5
	R	12	14	14	16	16
	S	2	2.3	2.3	3	3
W	8	10	10	12	12	
W (Qty)	6	6	6	6	6	
Weight [lbs / kg]		3.1 / 1.4	4.4 / 2.0	6.6 / 3.0	11 / 5	17 / 8
Coupling		UN1.2	UN2.5	UN5	UN10	UN20

[Included parts & accessories : surge protector]

[1" = 25.4mm]

Ogura Industrial
100 Randolph Rd.
Somerset, NJ 08875

www.ogura-clutch.com
info@ogura-clutch.com
(732) 271-7361